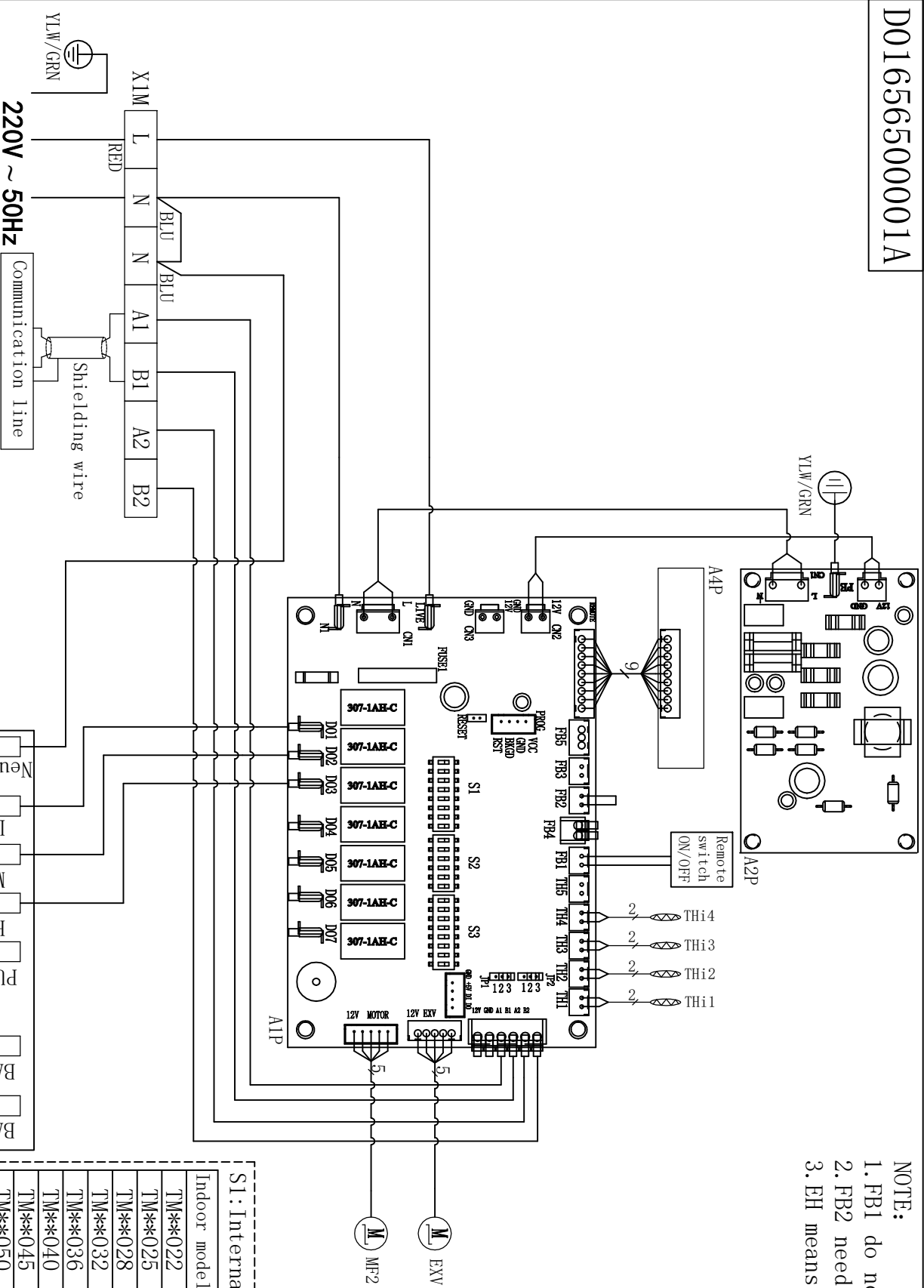


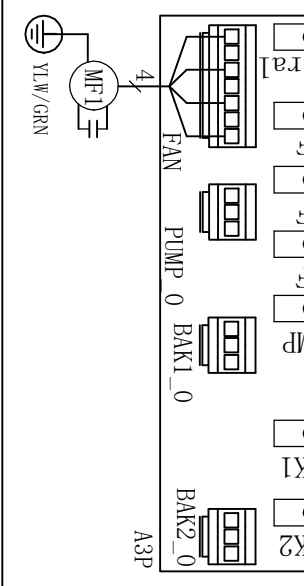
- NOTE:
1. FB1 do not connected when not used.
  2. FB2 need to sub.
  3. EH means electrical heating .



Symbol description:

A1P	Main control board	MF1	The fan motor
A2P	Switching power supply	MF2	The wind swing motor
A3P	Terminal adapter plate	THi1	Inlet temperature of the coil
A4P	Remote control lamp plate	THi2	Central temperature of the coil
X1M	Power terminal row	THi3	Outlet temperature of the coil
EXV	Electronic expansion valve	THi4	The environment temperature

Number	Function	0	1
S3-1	/	/	/
S3-2	/	/	/
S3-3	EH2	NO EH2	EH2
S3-4	EH1	NO EH1	EH1



S1: Internal machine capability code

Indoor model	S1-1	S1-2	S1-3	S1-4	S1-5	S1-6	S1-7	S1-8
TM**022	0	0	1	0	1	1	1	0
TM**025	0	0	1	1	0	0	1	1
TM**028	0	0	1	1	1	1	0	0
TM**032	0	0	1	0	0	0	0	0
TM**036	0	0	1	0	0	1	0	0
TM**040	0	0	1	0	1	0	0	0
TM**045	0	0	1	0	1	1	0	1
TM**050	0	0	1	1	0	0	1	0
TM**056	0	0	1	1	1	0	0	0
TM**063	0	0	1	1	1	1	1	1
TM**071	0	1	0	0	1	1	1	1
TM**080	0	1	0	1	0	0	0	0
TM**090	0	1	0	1	1	1	0	0
TM**100	0	1	1	0	0	1	0	0
TM**112	0	1	1	1	0	0	0	0
TM**125	0	1	1	1	1	1	0	1
TM**140	1	0	0	0	1	1	0	0

S3: Models & Function code

Indoor model	S3-5	S3-6	S3-7	S3-8
TMDN	0	0	0	0
TMDS	0	0	0	1
TMDH	0	0	1	0
TMCF	0	0	1	1
TMVX	0	1	0	0
TMVW	0	1	0	1
TMDF	0	1	1	0
TMCS	0	1	1	1
TMCD	1	0	0	0