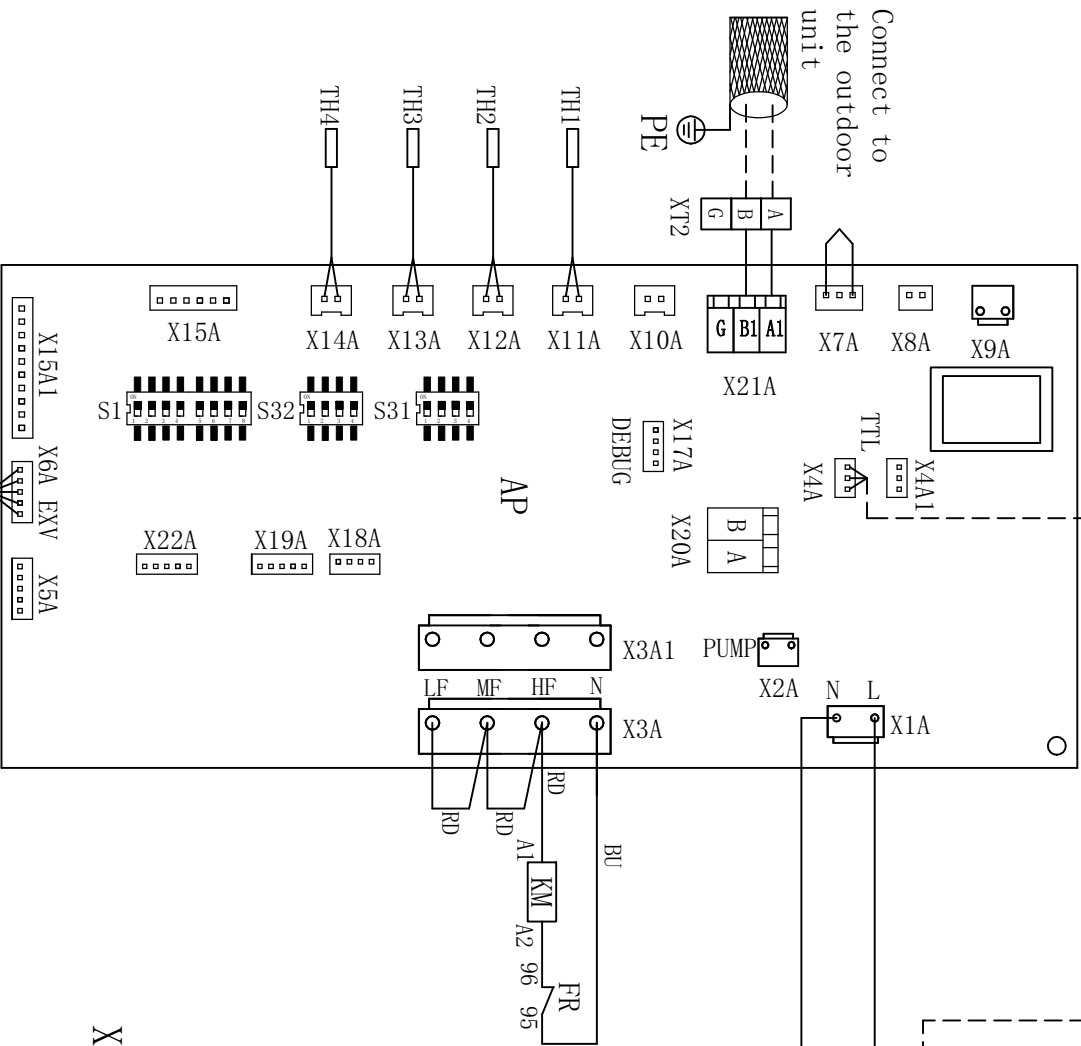


Symbol	Description	TITLE
AP	MAIN BOARD	
EXV	PULSE MOTOR EXPANSION VALVE	
TH1	ENTRANCE PIPE TEMP.	
TH2	MIDDLE PIPE TEMP.	
TH3	EXIT PIPE TEMP.	
TH4	ROOM TEMP.	
XT	TERMINAL BLOCK	
KM	AC CONTACTOR	
FR	THERMAL RELAY	

The unit code setting							
S31: Function code				S32: Models code			
Function code				Models code			
S31-1S31-2S31-3S31-4				S32-1S32-2S32-3S32-4			
0	0	0	0	1	1	0	0

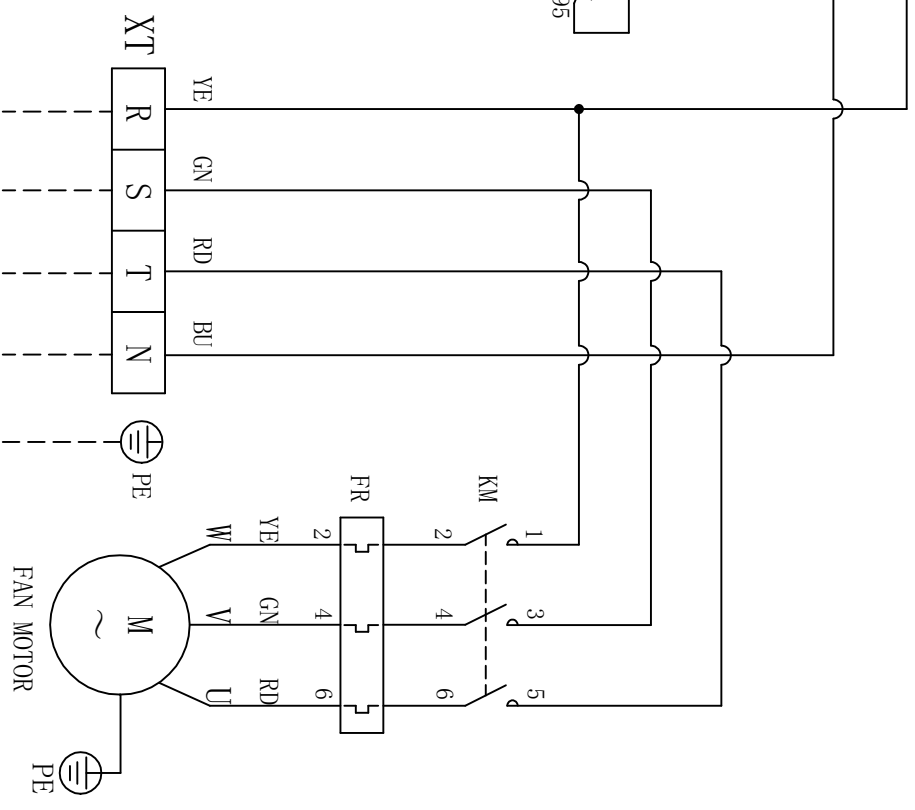
S1: Power code setting [1=ON 0=OFF]									
MODEL	CODE	S1-1	S1-2	S1-3	S1-4	S1-5	S1-6	S1-7	S1-8
335	0	1	1	1	1	0	0	0	0
400	1	0	0	0	1	1	0	0	0
450	1	0	1	0	0	0	0	0	0
500	1	0	1	1	0	1	0	0	0
560	1	1	0	0	1	0	0	0	0
615	1	1	0	1	1	1	0	0	0



Connect to the outdoor unit

NOTICE:

- 1, Please use shielded twisted pair for communication line;
- 2, ----- The dotted line is the engineering wiring.



380V 3N~50Hz

Note: If the motor reverses, please exchange any two phases in the power input terminals R, S and T.