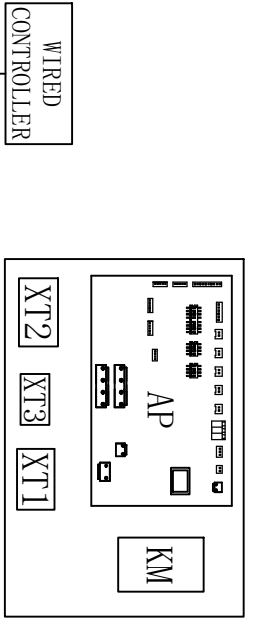
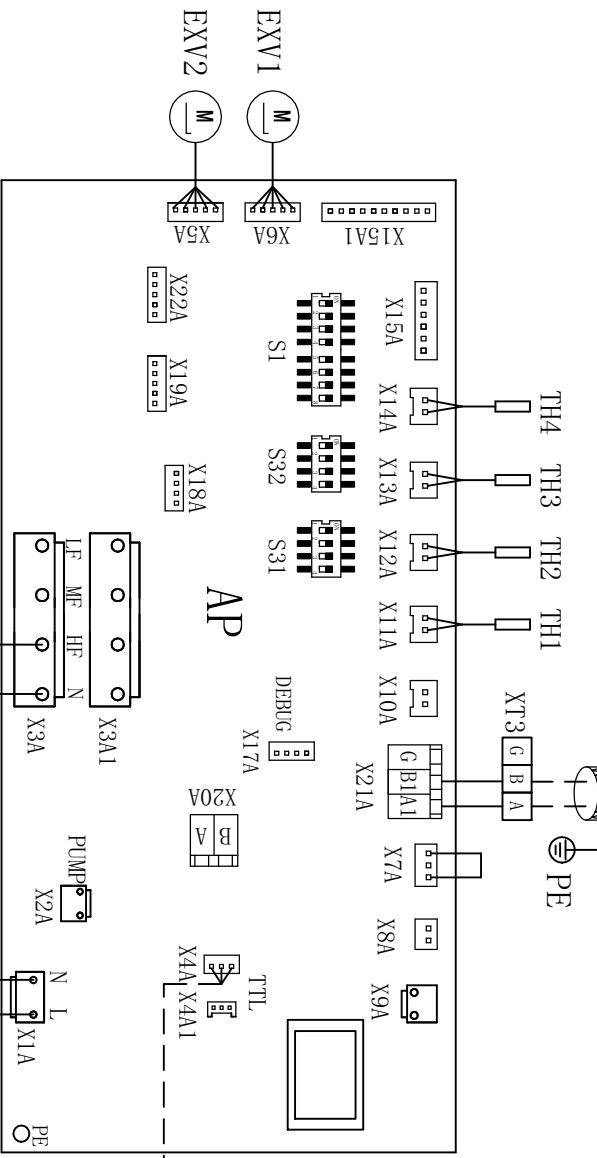


CONNECT TO THE OUTDOOR UNIT

ELECTRICAL LAYOUT



S31: FUNCTION DIP (DEFAULT 0)

DIP	FUNCTION	0	1
S31-1	FUNCTION SELECTION	REMOTE SWITCH	ROOM CARD INTERLOCKING
S31-2	RETURN AIR TEMP.	MAIN CONTROLLER TEMP. SENSOR	WIRED CONTROLLER TEMP. SENSOR
S31-3	HEATER	NO HEATER	HEATER
S31-4	FAN MOTOR TYPE	AC	DC

S32: INDOOR UNIT

S32-1	S32-2	S32-3	S32-4
0	1	1	0

S1: INDOOR UNIT CAPABILITY DIP

MODEL	S1-1	S1-2	S1-3	S1-4	S1-5	S1-6	S1-7	S1-8
175***-022	0	1	0	1	0	0	0	0
210***-020	0	1	1	0	0	1	1	0
250***-015	0	1	1	0	0	1	1	0
250***-020	0	1	1	0	0	1	1	0
250***-030	0	1	1	0	0	1	1	0
300***-020	0	1	1	0	0	1	1	0
400***-020	1	0	1	0	0	0	0	0
400***-030	1	0	1	0	0	0	0	0
500***-020	1	1	0	0	1	0	0	0
500***-030	1	1	0	0	1	0	0	0
600***-020	1	1	0	0	1	0	0	0
600***-030	1	1	0	0	1	0	0	0

NOTICE:
 1、PLEASE USE SHIELDED TWISTED PAIR FOR COMMUNICATION LINE;
 2、THE WIRING OF THE FAN IN THIS DRAWING IS FACTORY WIRING. IF THE WIND SPEED NEEDS TO BE ADJUSTED ON SITE, PLEASE REFER TO THE ACTUAL WIND SPEED ADJUSTMENT.

SYMBOL DESCRIPTION:

Symbol	Description	Terminal	Component
FAN1/2	FAN MOTOR	TH1	COIL INLET TEMP.
EXV1/2	ELECTRONIC EXPANSION VALVE	TH2	CENTRAL COIL TEMP.
AP	MAIN CONTROLLER	TH3	COIL OUTLET TEMP.
KM	CONTACTOR	TH4	AMBIENT TEMP.
XT1	POWER TERMINAL BLOCK	XT2	FAN TERMINAL BLOCK
XT3	COMMUNICATION TERMINAL BLOCK		

