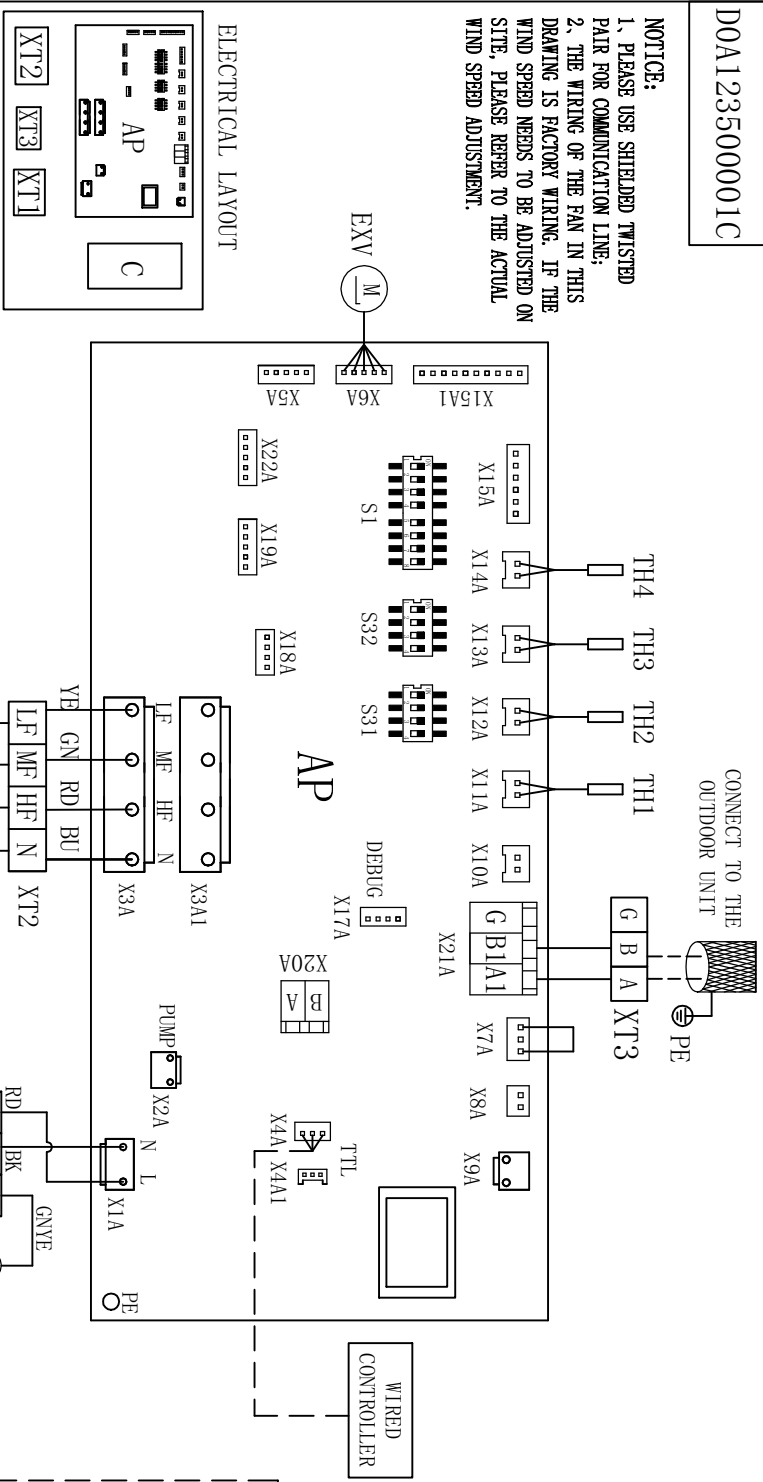


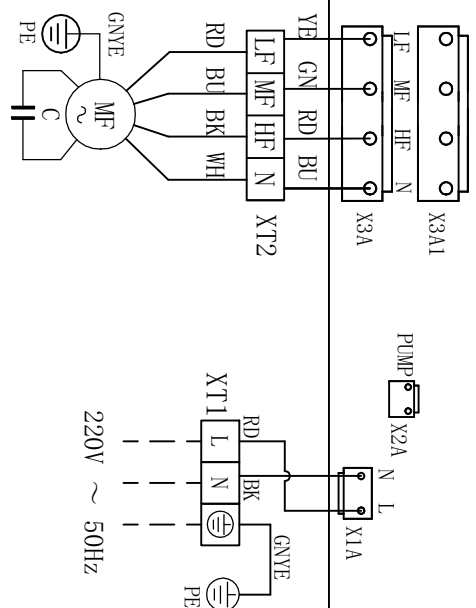
DOA123500001C

NOTICE:
 1. PLEASE USE SHIELDED TWISTED PAIR FOR COMMUNICATION LINE;
 2. THE WIRING OF THE FAN IN THIS DRAWING IS FACTORY WIRING. IF THE WIND SPEED NEEDS TO BE ADJUSTED ON SITE, PLEASE REFER TO THE ACTUAL WIND SPEED ADJUSTMENT.



SYMBOL DESCRIPTION:

FAN	FAN MOTOR	XT3	COMMUNICATION TERMINAL BLOCK
C	FAN CAPACTOR	TH1	COIL INLET TEMP.
EXV	ELECTRONIC EXPANSION VALVE	TH2	CENTRAL COIL TEMP.
AP	MAIN CONTROLLER	TH3	COIL OUTLET TEMP.
XT1	POWER TERMINAL BLOCK	TH4	AMBIENT TEMP.
XT2	FAN TERMINAL BLOCK		



S31:FUNCTION DIP (DEFAULT 0)

DIP	FUNCTION	0	1
S31-1	FUNCTION SELECTION	REMOTE SWITCH	ROOM CAUD INTERLOCKING
S31-2	RETURN AIR TEMP. SELECTION	MAIN CONTROLLER TEMP. SENSOR	WIRED CONTROLLER TEMP. SENSOR
S31-3	HEATER	NO HEATER	HEATER
S31-4	FAN MOTOR TYPE	AC	DC

S32: INDOOR UNIT

S32-1	S32-2	S32-3	S32-4
0	1	1	0

S1: INDOOR UNIT CAPABILITY DIP

MODEL	S1-1	S1-2	S1-3	S1-4	S1-5	S1-6	S1-7	S1-8
175***-022	0	1	0	1	0	0	0	0
210***-020	0	1	1	0	0	1	0	0
250***-015	0	1	1	0	0	1	0	0
250***-020	0	1	1	0	0	1	0	0
250***-030	0	1	1	0	0	1	0	0
300***-020	0	1	1	0	0	1	0	0
400***-020	1	0	1	0	0	0	0	0
400***-030	1	0	1	0	0	0	0	0
500***-020	1	1	0	0	1	0	0	0
500***-030	1	1	0	0	1	0	0	0
600***-020	1	1	0	0	1	0	0	0
600***-030	1	1	0	0	1	0	0	0