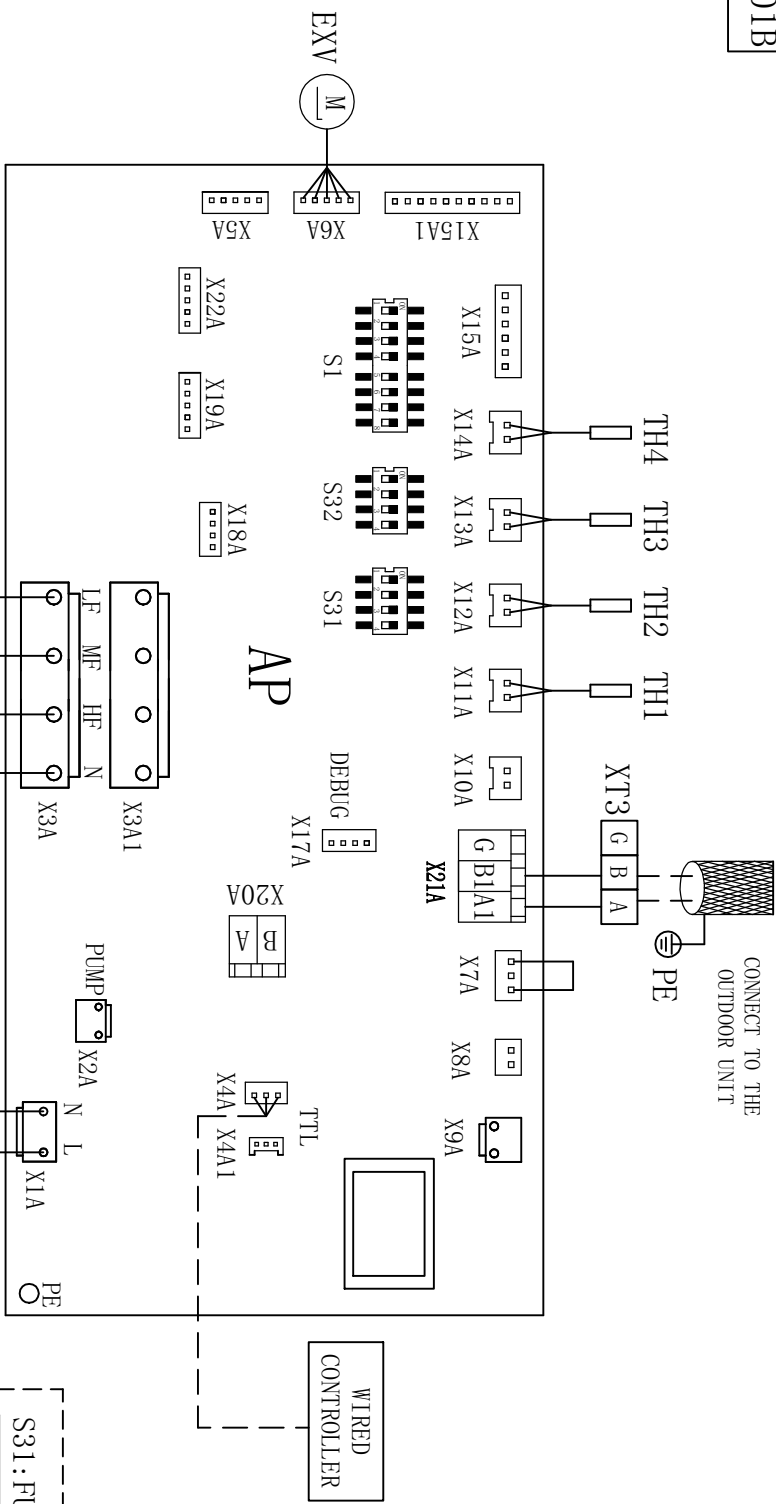


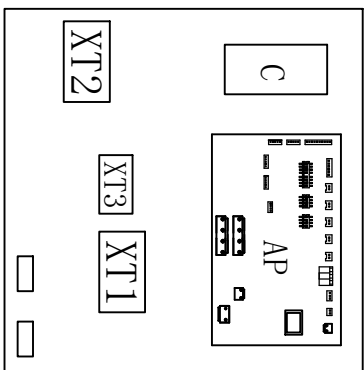
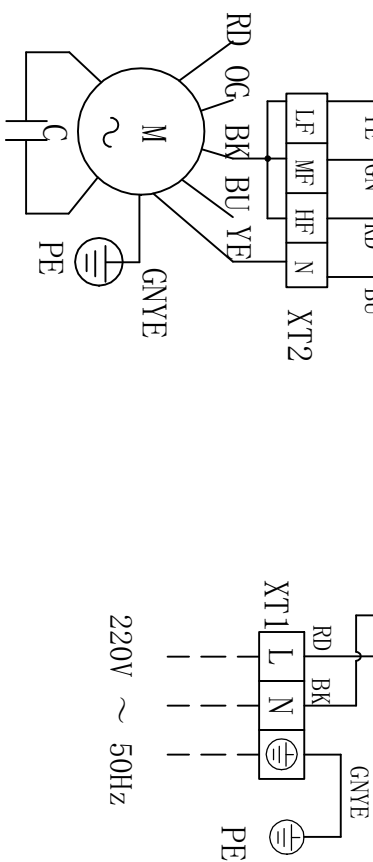
ELECTRICAL LAYOUT



- NOTICE:**
1. PLEASE USE SHIELDED TWISTED PAIR FOR COMMUNICATION LINE;
  2. THE WIRING OF THE FAN IN THIS DRAWING IS FACTORY WIRING. IF THE WIND SPEED NEEDS TO BE ADJUSTED ON SITE, PLEASE REFER TO THE ACTUAL WIND SPEED ADJUSTMENT.

SYMBOL DESCRIPTION:

|     |                            |     |                              |
|-----|----------------------------|-----|------------------------------|
| FAN | FAN MOTOR                  | XT3 | COMMUNICATION TERMINAL BLOCK |
| C   | FAN CAPACITOR              | TH1 | COIL INLET TEMP.             |
| EXV | ELECTRONIC EXPANSION VALVE | TH2 | CENTRAL COIL TEMP.           |
| AP  | MAIN CONTROLLER            | TH3 | COIL OUTLET TEMP.            |
| XT1 | POWER TERMINAL BLOCK       | TH4 | AMBIENT TEMP.                |
| XT2 | FAN TERMINAL BLOCK         |     |                              |



S31: FUNCTION DIP (DEFAULT 0)

| DIP   | FUNCTION                   | 0                            | 1                             |
|-------|----------------------------|------------------------------|-------------------------------|
| S31-1 | FUNCTION SELECTION         | ROOM CARD INTERLOCKING       | ROOM CARD INTERLOCKING        |
| S31-2 | RETURN AIR TEMP. SELECTION | MAIN CONTROLLER TEMP. SENSOR | WIRED CONTROLLER TEMP. SENSOR |
| S31-3 | HEATER                     | NO HEATER                    | HEATER                        |
| S31-4 | FAN MOTOR TYPE             | AC                           | DC                            |

S32: INDOOR UNIT

| S32-1 | S32-2 | S32-3 | S32-4 |
|-------|-------|-------|-------|
| 0     | 1     | 1     | 0     |

S1: INDOOR UNIT CAPABILITY DIP

| MODEL    | S1-1 | S1-2 | S1-3 | S1-4 | S1-5 | S1-6 | S1-7 | S1-8 |
|----------|------|------|------|------|------|------|------|------|
| 120*-020 | 0    | 0    | 1    | 1    | 0    | 0    | 1    | 0    |
| 140*-020 | 0    | 0    | 1    | 1    | 1    | 1    | 0    | 0    |